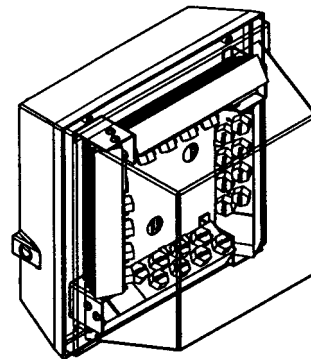
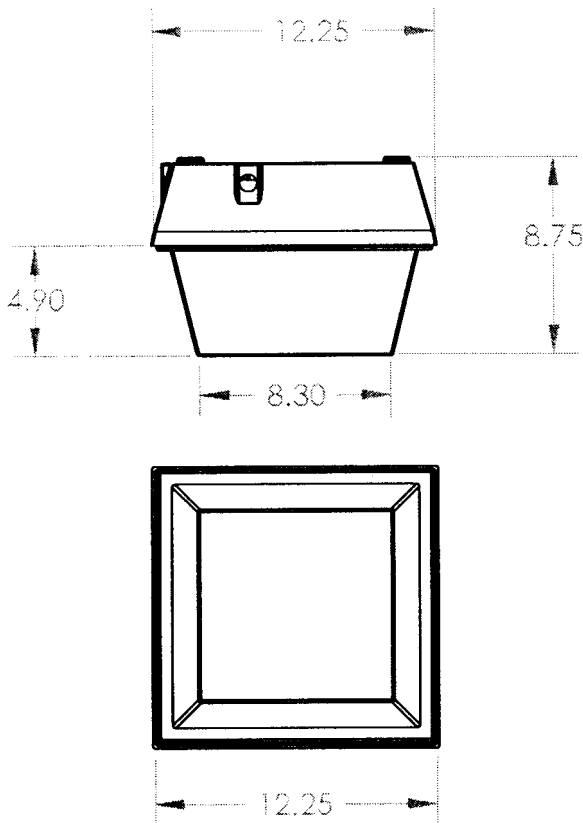


BALLABS CERTIFIED TEST REPORT NO.: 14533.0 DATE 03/27/09
PREPARED FOR: GUTH LIGHTING INC - ST. LOUIS, MISSOURI
DESCRIPTION: 32 REBEL LED @350ma (4BOARDS 60TILT) 12"SQ GARAGE LUMINAIRE
BOTTOM ROW 6DEG POLYMER OPTICS, TOP ROW 25DEG POLYMER OPTICS
2 ADVANCE LED 34W POWER SUPPLY #LED-120A-0024V-18-F-O
CATALOG NBR: HL12-B-SW-32L-V
LAMP TYPE : LXML-PWN1-0080 RATED LUMENS NA. NBR. LAMPS:- 32



IES CUTOFF CLASSIFICATION: NON CUTOFF
IES ROADWAY CLASSIFICATION: TYPE III - SHORT
TESTED IN ACCORDANCE WITH CURRENT IES STANDARDS

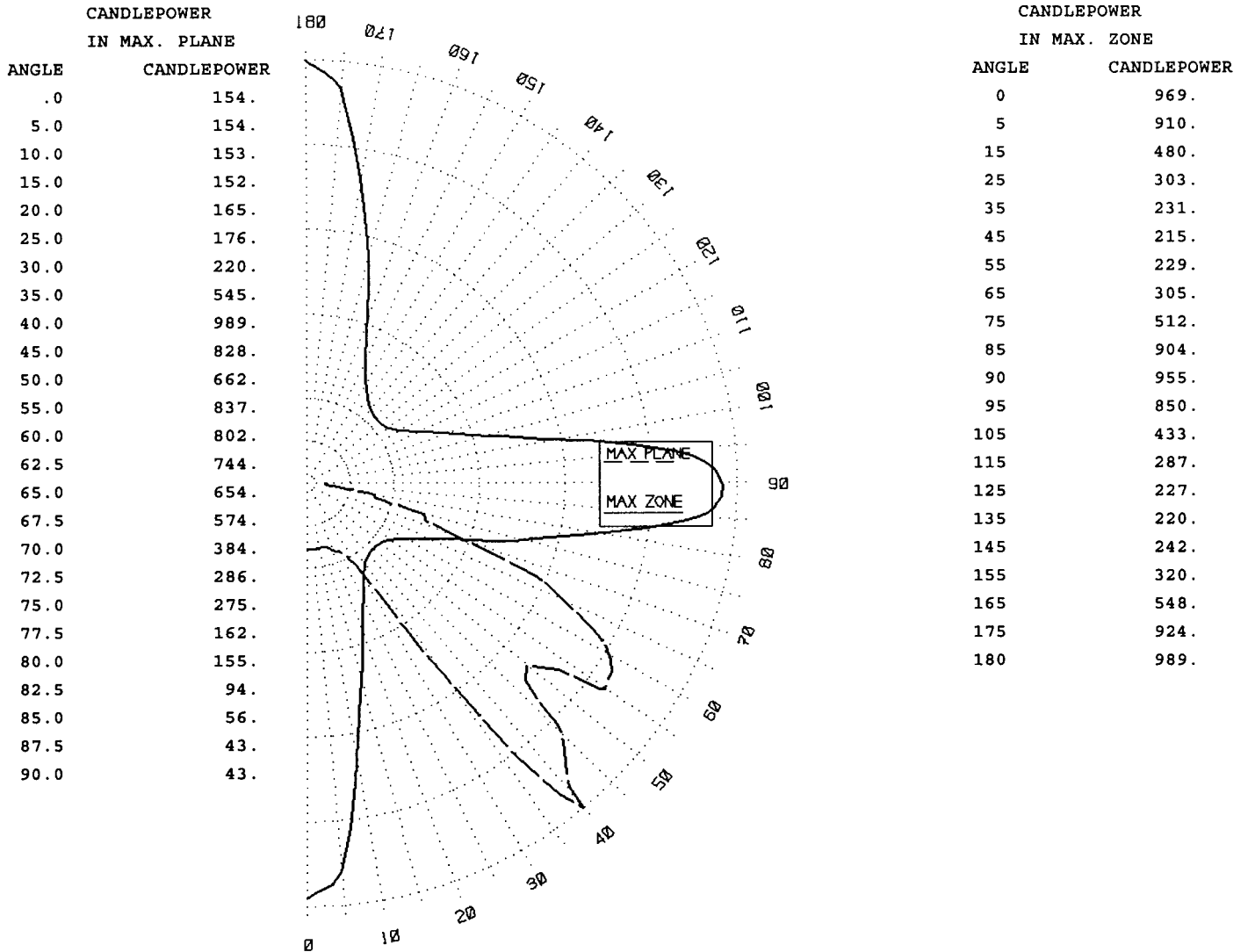
SIGNIFICANCE OF THE TEST IS LIMITED TO THE DEGREE THAT THE TESTED SAMPLE IS REPRESENTATIVE. OTHER FACTORS AFFECT FIELD PERFORMANCE.

BALLABS CERTIFIED TEST REPORT NO.: 14533.0 DATE 03/27/09
 PREPARED FOR: GUTH LIGHTING INC - ST. LOUIS, MISSOURI
 DESCRIPTION: 32 REBEL LED @350ma (4BOARDS 60TILT) 12"SQ GARAGE LUMINAIRE
 BOTTOM ROW 6DEG POLYMER OPTICS, TOP ROW 25DEG POLYMER OPTIC
 2 ADVANCE LED 34W POWER SUPPLY #LED-120A-0024V-18-F-O
 CATALOG NBR: HL12-B-SW-32L-V
 LAMP TYPE : LXML-PWN1-0080 RATED LUMENS NA. NBR. LAMPS:- 32

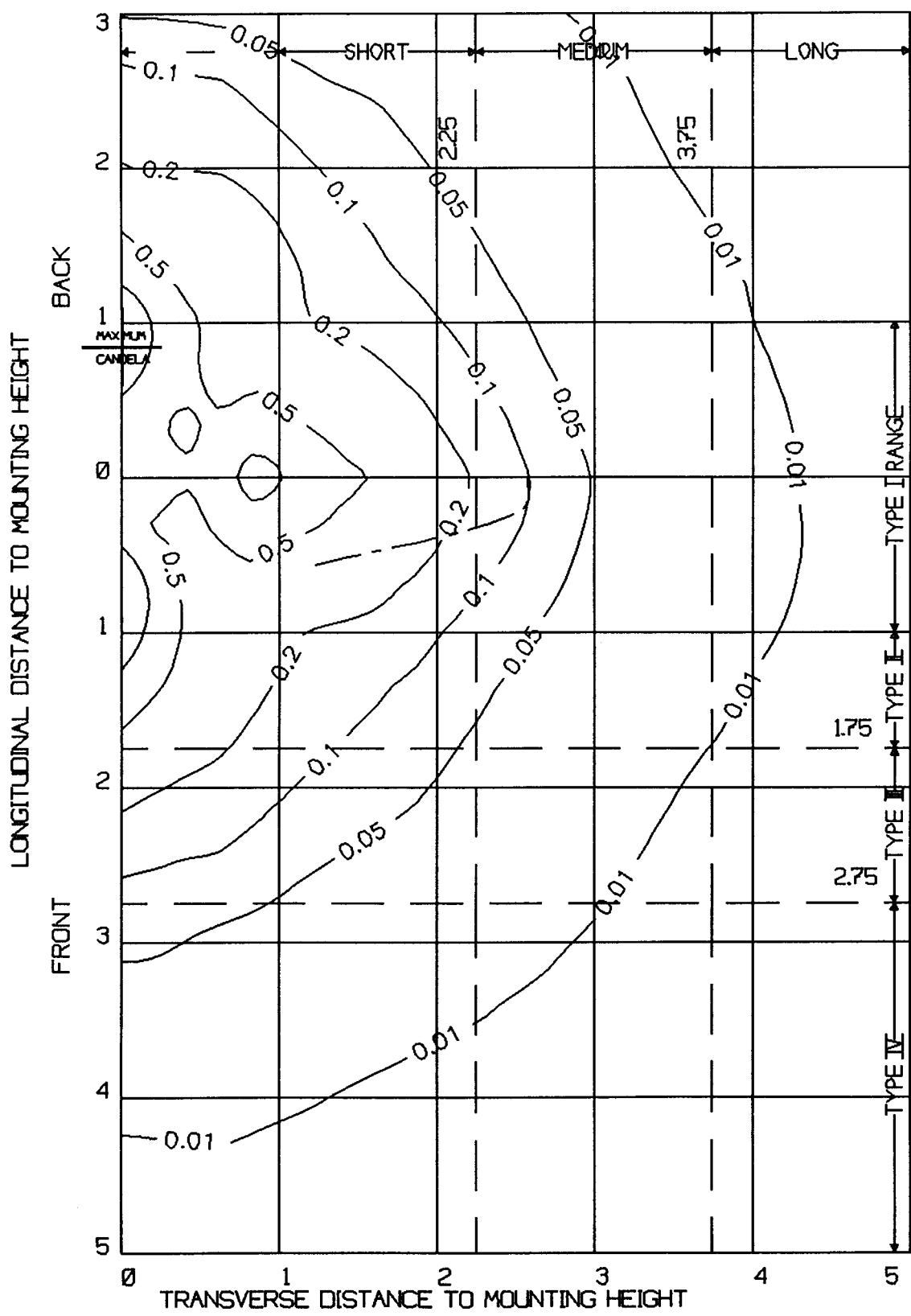
COEFFICIENTS OF UTILIZATION			EFFICIENCY		
RATIO	FRONT	BACK	BACK	LUMENS	%LAMP
0.5	NA	NA	DOWNWARD	910.	NA.
1.0	NA	NA	UPWARD	119.	NA.
2.0	NA	NA	FRONT		
3.0	NA	NA	DOWNWARD	889.	NA.
4.0	NA	NA	UPWARD	121.	NA.
5.0	NA	NA	TOTAL	2040.	NA.

BALLABS CERTIFIED TEST REPORT NO.: 14533.0 DATE 03/27/09
 PREPARED FOR: GUTH LIGHTING INC - ST. LOUIS, MISSOURI
 DESCRIPTION: 32 REBEL LED @350ma (4BOARDS 60TILT) 12"SQ GARAGE LUMINAIRE
 BOTTOM ROW 6DEG POLYMER OPTICS, TOP ROW 25DEG POLYMER OPTIC
 2 ADVANCE LED 34W POWER SUPPLY #LED-120A-0024V-18-F-O
 CATALOG NBR: HL12-B-SW-32L-V
 LAMP TYPE : LXML-PWN1-0080 RATED LUMENS NA. NBR. LAMPS:- 32

VALUE OF MAXIMUM BEAM CANDLEPOWER 989.
 PLANE OF MAXIMUM BEAM CANDLEPOWER 180.
 ZONE OF MAXIMUM BEAM CANDLEPOWER 40.0



BALLABS CERTIFIED TEST REPORT NO.: 14533.0 DATE 03/27/09
 PREPARED FOR: GUTH LIGHTING INC - ST. LOUIS, MISSOURI
 DESCRIPTION: 32 REBEL LED @350ma (4BOARDS 60TILT) 12"SQ GARAGE LUMINAIRE
 BOTTOM ROW 6DEG POLYMER OPTICS, TOP ROW 25DEG POLYMER OPTIC
 2 ADVANCE LED 34W POWER SUPPLY #LED-120A-0024V-18-F-0
 CATALOG NBR: HL12-B-SW-32L-V
 LAMP TYPE : LXML-PWN1-0080 RATED LUMENS NA. NBR. LAMPS:- 32
 ISO-FOOTCANDLES - 15.00 FOOT MOUNTING HEIGHT



TO CONVERT TO NEW MH MULTIPLY FC BY

MH	: XFC
5.	9.00
6.	6.25
7.	4.59
8.	3.52
9.	2.78
10.	2.25
11.	1.86
12.	1.56
13.	1.33
14.	1.15
15.	1.00
16.	.88
17.	.78
18.	.69
19.	.62
20.	.56
21.	.51
22.	.46
23.	.43
24.	.39
25.	.36