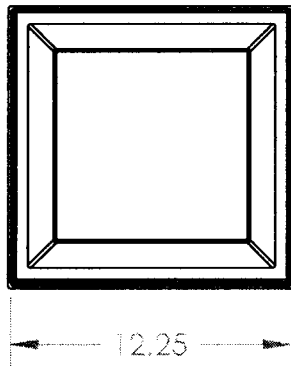
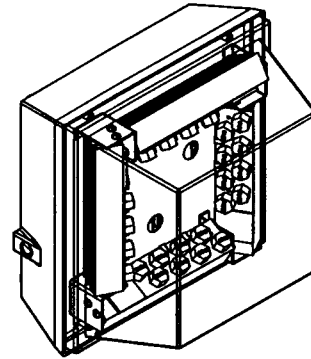
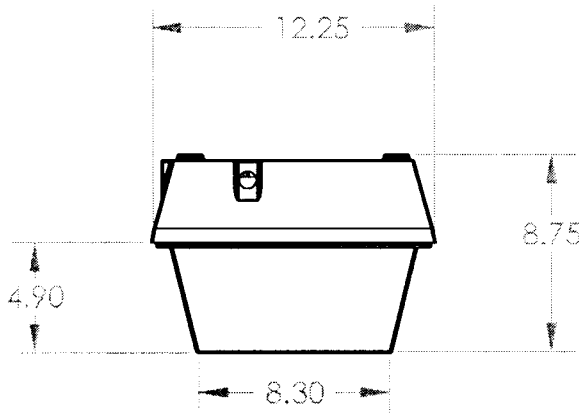


BALLABS CERTIFIED TEST REPORT NO.: 14532.0 DATE 03/27/09  
PREPARED FOR: GUTH LIGHTING INC - ST. LOUIS, MISSOURI  
DESCRIPTION: 24 REBEL LED @350ma (3BOARDS 60TILT) 12"SQ GARAGE LUMINAIRE  
BOTTOM ROW 6DEG POLYMER OPTICS, TOP ROW 25DEG POLYMER OPTICS  
2 ADVANCE LED 34W POWER SUPPLY #LED-120A-0024V-18-F-O  
CATALOG NBR: HL12-B-A-24L-V  
LAMP TYPE : LXML-PWN1-0080 RATED LUMENS NA. NBR. LAMPS:- 24



*[Handwritten signature]*

IES CUTOFF CLASSIFICATION: NON CUTOFF  
IES ROADWAY CLASSIFICATION: TYPE III - SHORT  
TESTED IN ACCORDANCE WITH CURRENT IES STANDARDS

SIGNIFICANCE OF THE TEST IS LIMITED TO THE DEGREE THAT THE TESTED SAMPLE IS REPRESENTATIVE. OTHER FACTORS AFFECT FIELD PERFORMANCE.







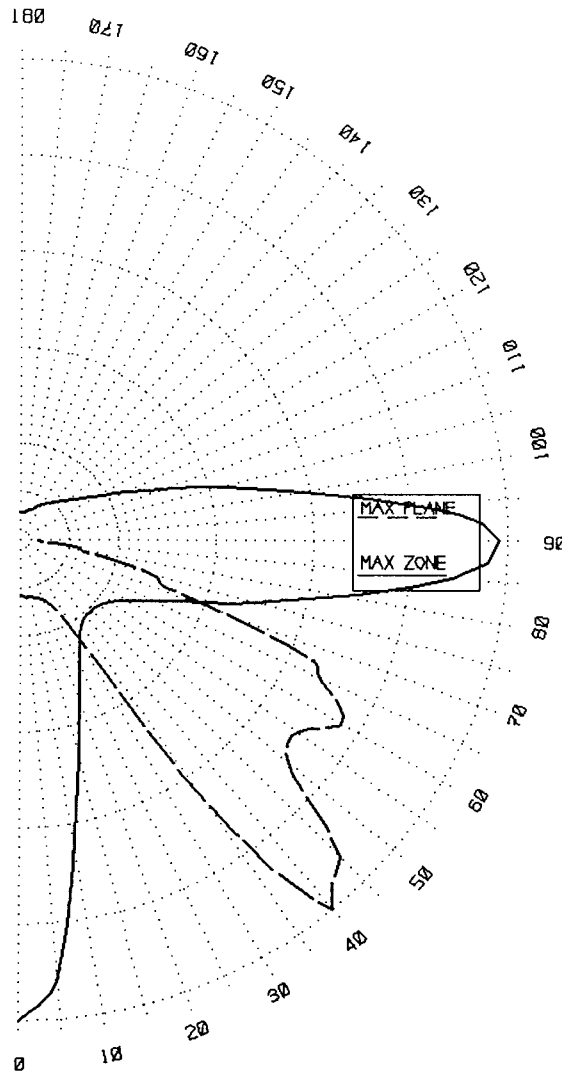
BALLABS CERTIFIED TEST REPORT NO.: 14532.0                      DATE 03/27/09  
 PREPARED FOR: GUTH LIGHTING INC - ST. LOUIS, MISSOURI  
 DESCRIPTION: 24 REBEL LED @350ma (3BOARDS 60TILT) 12"SQ GARAGE LUMINAIRE  
                     BOTTOM ROW 6DEG POLYMER OPTICS, TOP ROW 25DEG POLYMER OPTIC  
                     2 ADVANCE LED 34W POWER SUPPLY #LED-120A-0024V-18-F-O  
 CATALOG NBR: HL12-B-A-24L-V  
 LAMP TYPE : LXML-PWN1-0080                      RATED LUMENS                      NA. NBR. LAMPS:- 24

COEFFICIENTS OF UTILIZATION			EFFICIENCY		
RATIO	FRONT	BACK	BACK	LUMENS	%LAMP
0.5	NA	NA	DOWNWARD	472.	NA.
1.0	NA	NA	UPWARD	68.	NA.
2.0	NA	NA	FRONT		
3.0	NA	NA	DOWNWARD	903.	NA.
4.0	NA	NA	UPWARD	122.	NA.
5.0	NA	NA	TOTAL	1565.	NA.

BALLABS CERTIFIED TEST REPORT NO.: 14532.0 DATE 03/27/09  
 PREPARED FOR: GUTH LIGHTING INC - ST. LOUIS, MISSOURI  
 DESCRIPTION: 24 REBEL LED @350ma (3BOARDS 60TILT) 12"SQ GARAGE LUMINAIRE  
 BOTTOM ROW 6DEG POLYMER OPTICS, TOP ROW 25DEG POLYMER OPTIC  
 2 ADVANCE LED 34W POWER SUPPLY #LED-120A-0024V-18-F-0  
 CATALOG NBR: HL12-B-A-24L-V  
 LAMP TYPE : LXML-PWN1-0080 RATED LUMENS NA. NBR. LAMPS:- 24

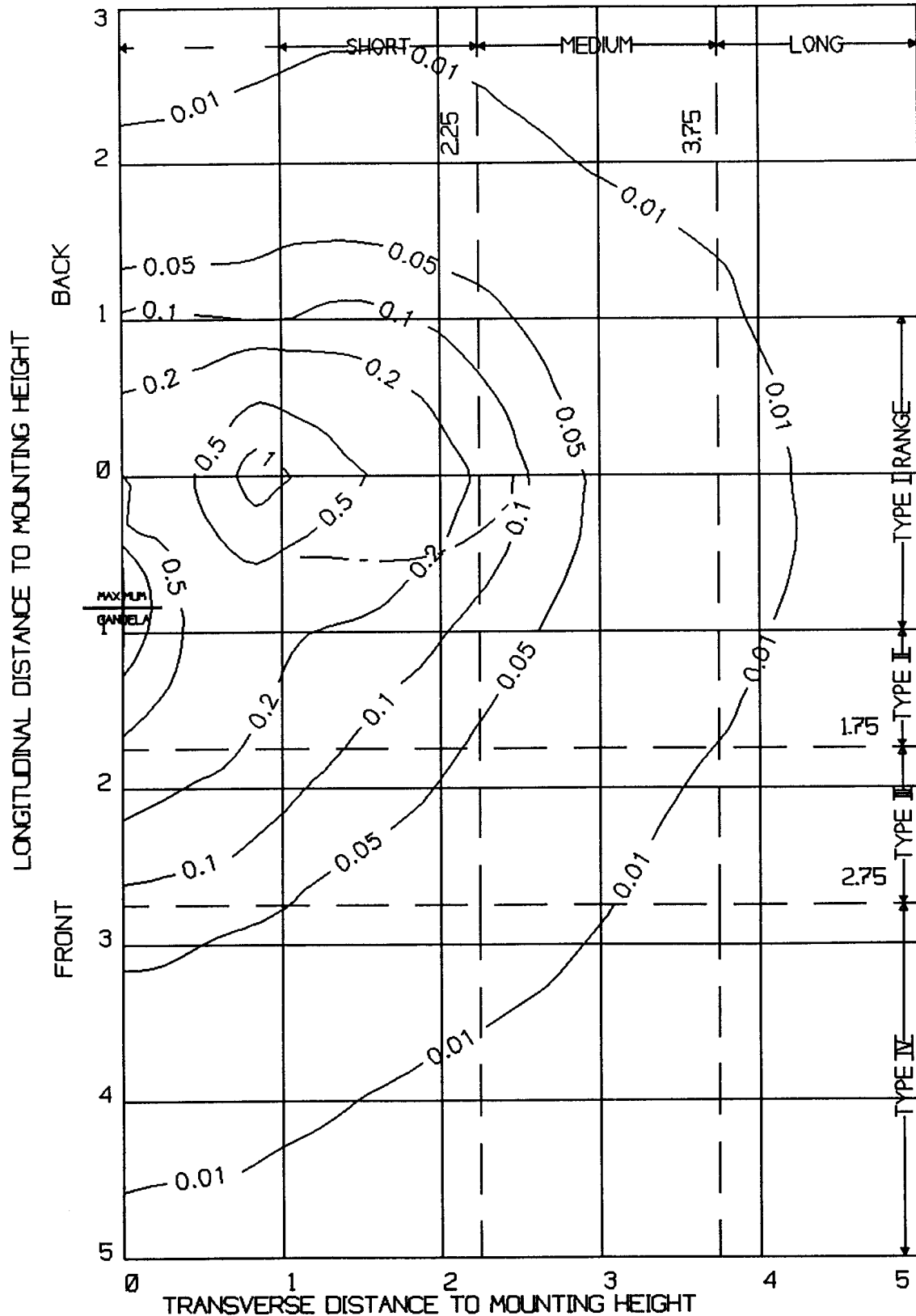
VALUE OF MAXIMUM BEAM CANDLEPOWER 1055.  
 PLANE OF MAXIMUM BEAM CANDLEPOWER 0.  
 ZONE OF MAXIMUM BEAM CANDLEPOWER 40.0

ANGLE	CANDLEPOWER IN MAX. PLANE
.0	120.
5.0	126.
10.0	126.
15.0	131.
20.0	139.
25.0	157.
30.0	226.
35.0	677.
40.0	1055.
45.0	982.
50.0	759.
55.0	730.
60.0	803.
62.5	778.
65.0	717.
67.5	686.
70.0	487.
72.5	323.
75.0	300.
77.5	229.
80.0	139.
82.5	127.
85.0	65.
87.5	44.
90.0	36.



ANGLE	CANDLEPOWER IN MAX. ZONE
0	1055.
5	973.
15	499.
25	303.
35	231.
45	217.
55	234.
65	311.
75	524.
85	938.
90	1039.
95	864.
105	457.
115	252.
125	161.
135	123.
145	99.
155	81.
165	67.
175	61.
180	63.

BALLABS CERTIFIED TEST REPORT NO.: 14532.0 DATE 03/27/09  
 PREPARED FOR: GUTH LIGHTING INC - ST. LOUIS, MISSOURI  
 DESCRIPTION: 24 REBEL LED @350ma (3BOARDS 60TILT) 12"SQ GARAGE LUMINAIRE  
 BOTTOM ROW 6DEG POLYMER OPTICS, TOP ROW 25DEG POLYMER OPTIC  
 2 ADVANCE LED 34W POWER SUPPLY #LED-120A-0024V-18-F-0  
 CATALOG NBR: HL12-B-A-24L-V  
 LAMP TYPE : LXML-PWN1-0080 RATED LUMENS NA. NBR. LAMPS:- 24  
 ISO-FOOTCANDLES - 15.00 FOOT MOUNTING HEIGHT



TO CONVERT TO NEW MH MULTIPLY FC BY

MH	: XFC
5.	9.00
6.	6.25
7.	4.59
8.	3.52
9.	2.78
10.	2.25
11.	1.86
12.	1.56
13.	1.33
14.	1.15
15.	1.00
16.	.88
17.	.78
18.	.69
19.	.62
20.	.56
21.	.51
22.	.46
23.	.43
24.	.39
25.	.36