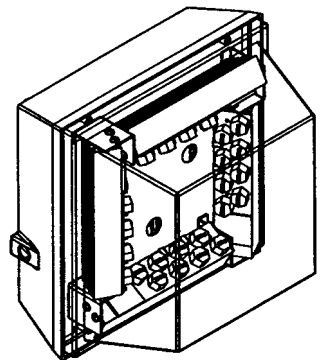
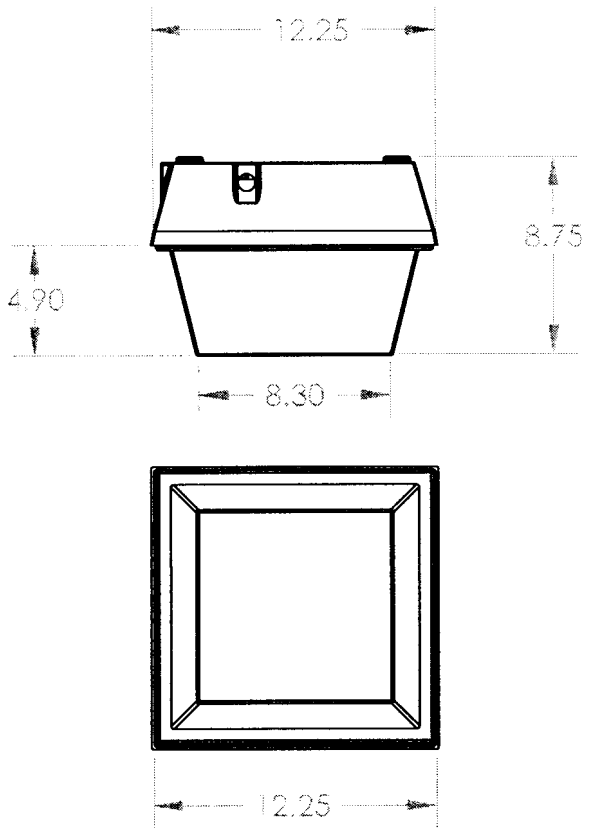


BALLABS CERTIFIED TEST REPORT NO.: 14531.0 DATE 03/26/09  
PREPARED FOR: GUTH LIGHTING INC - ST. LOUIS, MISSOURI  
DESCRIPTION: 16 REBEL LED @350ma (2BOARDS 60TILT) 12"SQ GARAGE LUMINAIRE  
BOTTOM ROW 6DEG POLYMER OPTICS, TOP ROW 25DEG POLYMER OPTIC  
2 ADVANCE LED 34W POWER SUPPLY #LED-120A-0024V-18-F-O  
CATALOG NBR: HL12-B-LAN-16L-V  
LAMP TYPE : LXML-PWN1-0080 RATED LUMENS NA. NBR. LAMPS:- 16



IES CUTOFF CLASSIFICATION: CUTOFF  
IES ROADWAY CLASSIFICATION: TYPE I - SHORT  
TESTED IN ACCORDANCE WITH CURRENT IES STANDARDS

SIGNIFICANCE OF THE TEST IS LIMITED TO THE DEGREE THAT THE TESTED SAMPLE IS REPRESENTATIVE. OTHER FACTORS AFFECT FIELD PERFORMANCE.







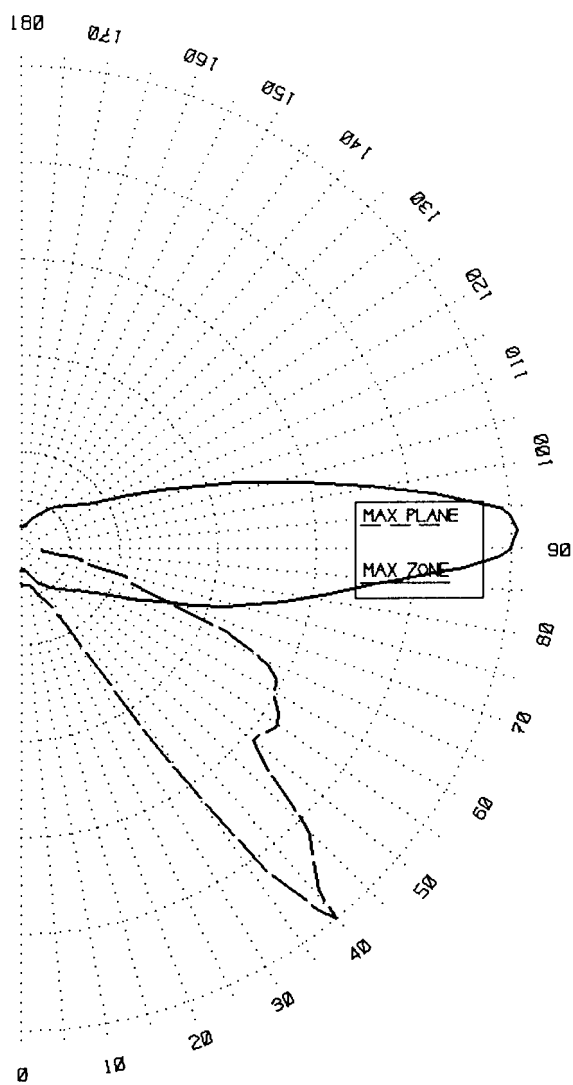
BALLABS CERTIFIED TEST REPORT NO.: 14531.0 DATE 03/26/09  
 PREPARED FOR: GUTH LIGHTING INC - ST. LOUIS, MISSOURI  
 DESCRIPTION: 16 REBEL LED @350ma (2BOARDS 60TILT) 12"SQ GARAGE LUMINAIRE  
 BOTTOM ROW 6DEG POLYMER OPTICS, TOP ROW 25DEG POLYMER OPTIC  
 2 ADVANCE LED 34W POWER SUPPLY #LED-120A-0024V-18-F-O  
 CATALOG NBR: HL12-B-LAN-16L-V  
 LAMP TYPE : LXML-PWN1-0080 RATED LUMENS NA. NBR. LAMPS:- 16

RATIO	COEFFICIENTS OF UTILIZATION		EFFICIENCY		
	FRONT	BACK	BACK	LUMENS	%LAMP
0.5	NA	NA	DOWNWARD	552.	NA.
1.0	NA	NA	UPWARD	75.	NA.
2.0	NA	NA	FRONT		
3.0	NA	NA	DOWNWARD	496.	NA.
4.0	NA	NA	UPWARD	73.	NA.
5.0	NA	NA	TOTAL	1196.	NA.

BALLABS CERTIFIED TEST REPORT NO.: 14531.0 DATE 03/26/09  
 PREPARED FOR: GUTH LIGHTING INC - ST. LOUIS, MISSOURI  
 DESCRIPTION: 16 REBEL LED @350ma (2BOARDS 60TILT) 12"SQ GARAGE LUMINAIRE  
 BOTTOM ROW 6DEG POLYMER OPTICS, TOP ROW 25DEG POLYMER OPTIC  
 2 ADVANCE LED 34W POWER SUPPLY #LED-120A-0024V-18-F-O  
 CATALOG NBR: HL12-B-LAN-16L-V  
 LAMP TYPE : LXML-PWN1-0080 RATED LUMENS NA. NBR. LAMPS:- 16

VALUE OF MAXIMUM BEAM CANDLEPOWER 1130.  
 PLANE OF MAXIMUM BEAM CANDLEPOWER 90.  
 ZONE OF MAXIMUM BEAM CANDLEPOWER 40.0

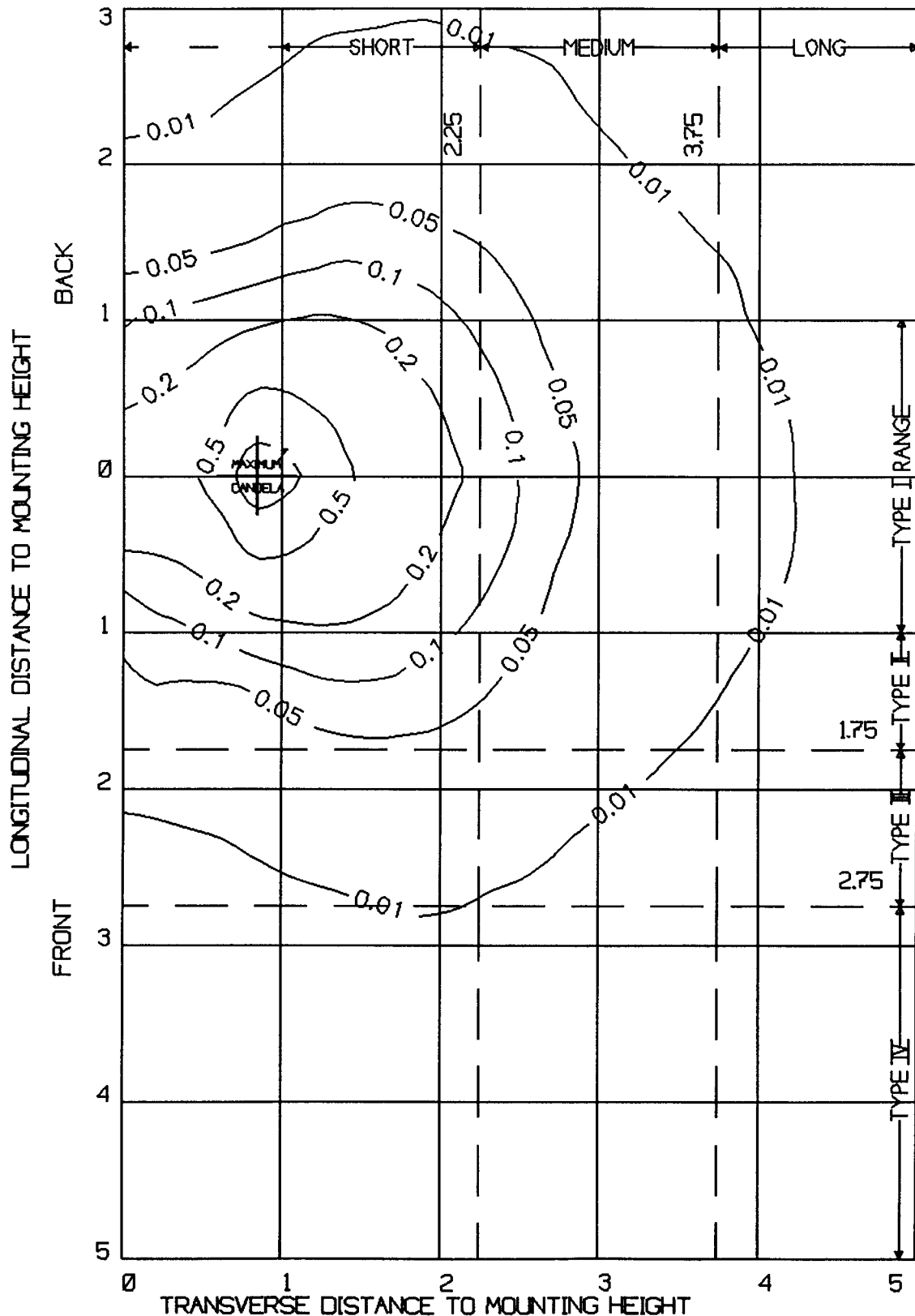
ANGLE	CANDLEPOWER
.0	82.
5.0	86.
10.0	85.
15.0	93.
20.0	116.
25.0	135.
30.0	210.
35.0	665.
40.0	1130.
45.0	936.
50.0	700.
55.0	720.
60.0	673.
62.5	662.
65.0	610.
67.5	514.
70.0	343.
72.5	261.
75.0	247.
77.5	147.
80.0	137.
82.5	74.
85.0	46.
87.5	39.
90.0	37.



ANGLE	CANDLEPOWER
0	50.
5	50.
15	58.
25	85.
35	109.
45	134.
55	171.
65	275.
75	517.
85	855.
90	1130.
95	1103.
105	611.
115	317.
125	185.
135	144.
145	116.
155	88.
165	63.
175	54.
180	54.

BALLABS CERTIFIED TEST REPORT NO.: 14531.0 DATE 03/26/09  
 PREPARED FOR: GUTH LIGHTING INC - ST. LOUIS, MISSOURI  
 DESCRIPTION: 16 REBEL LED @350ma (2BOARDS 60TILT) 12"SQ GARAGE LUMINAIRE  
 BOTTOM ROW 6DEG POLYMER OPTICS, TOP ROW 25DEG POLYMER OPTIC  
 2 ADVANCE LED 34W POWER SUPPLY #LED-120A-0024V-18-F-O

CATALOG NBR: HL12-B-LAN-16L-V  
 LAMP TYPE : LXML-PWN1-0080 RATED LUMENS NA. NBR. LAMPS:- 16  
 ISO-FOOTCANDLES - 15.00 FOOT MOUNTING HEIGHT



TO CONVERT TO NEW MH MULTIPLY FC BY

MH	XFC
5.	9.00
6.	6.25
7.	4.59
8.	3.52
9.	2.78
10.	2.25
11.	1.86
12.	1.56
13.	1.33
14.	1.15
15.	1.00
16.	.88
17.	.78
18.	.69
19.	.62
20.	.56
21.	.51
22.	.46
23.	.43
24.	.39
25.	.36