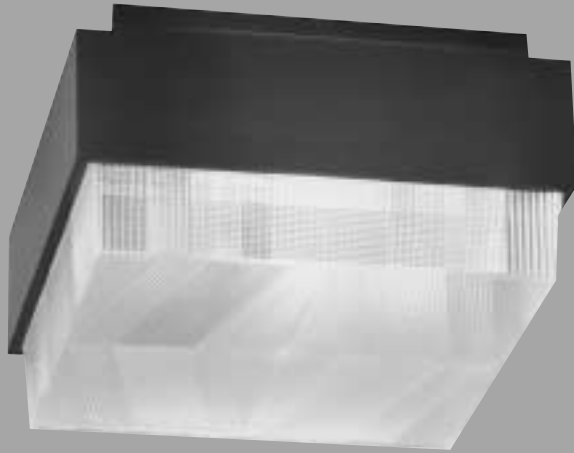


# HANDILITER-S™

## Exceptional Durability With Unique Light Distribution



### FEATURES

- HPS or LPS lamps
- 12-1/2" square by 6-7/8" deep
- Aluminum mounting plate
- Specular aluminum reflector
- Acrylic or polycarbonate prismatic lens
- 60°C gasketing

### BENEFITS

- Corrosion resistant
- Low glare
- 3.5 to 1 spacing
- High efficiency
- Architectural design

### APPLICATIONS

- Parking garages
- Canopies
- Walkways
- Entrances
- Overhangs
- Warehouses
- Schools

## Specifications/Features

### GENERAL

- Outdoor ceiling mounted type not more than 12-1/2" square by 6-7/8" deep.
- Stepped-back aluminum mounting plate creates a "floating" look.
- All components secured to mounting plate by vibration resistant screws.

### CONSTRUCTION

- Lens is hermetically sealed in injection molded polycarbonate frame with integral bronze color.
- Concealed hinge-springs with no visible fasteners.
- Closed cell cross-link polyethylene gasketing with a 60° C rating.
- Specular aluminum reflector.

### LISTINGS

- U.L. Listed, "Suitable for Wet Locations."

### ELECTRICAL

- Ballasts are HPF and suitable for lamp and voltage selected.
- All fixtures carry the IBEW Union label to ensure quality.



*Injection molded lens produces "oval" light pattern allowing extremely wide fixture spacings. Constructed of 100% virgin acrylic for permanent light transmission... won't discolor. Also available in polycarbonate.*



*Heavy gauge die-cast chassis and polycarbonate housing resists corrosion in indoor and outdoor applications. Design includes step-back chassis for shallow, sculptured look. Unit finished in bronze powder coat for lasting appearance and easy cleaning.*

## Photometrics

Coefficients of Utilization  
1 Lamp, 100W HPS B17624/120

Ceiling Refl.	80%			50%			10%		
Wall Refl.	50	30	10	50	30	10	50	30	10
RCR	20% Effective Floor Cavity Reflectance								
1	.66	.63	.61	.60	.58	.57	.57	.56	.54
2	.58	.53	.49	.53	.50	.47	.50	.47	.45
3	.50	.45	.40	.46	.42	.38	.44	.40	.37
4	.44	.38	.34	.40	.36	.32	.38	.34	.31
5	.38	.32	.28	.35	.30	.27	.34	.29	.26
6	.33	.27	.23	.31	.26	.22	.29	.25	.22
7	.29	.23	.19	.27	.22	.18	.26	.21	.18
8	.26	.20	.16	.24	.19	.16	.23	.18	.15
9	.23	.18	.14	.22	.17	.13	.21	.16	.13
10	.21	.15	.12	.19	.15	.11	.19	.14	.11

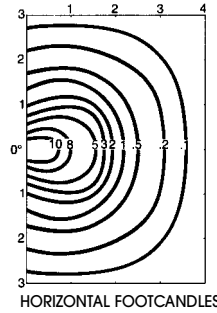
S/MH Ratio 3.5:1 and 1:1  
Total Lamp Lumens 9,500  
Fixture Efficiency 64%

### MOUNTING HEIGHT CONVERSION CHART\*

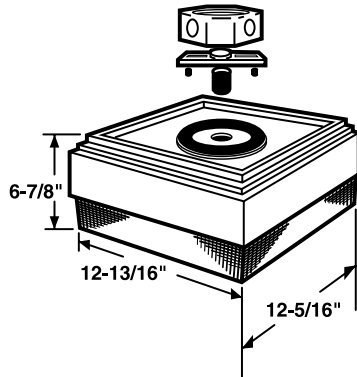
Mounting Height	Footcandle Multiplier
4'	6.25
6'	2.78
8'	1.56
12'	.69
15'	.44

\*Photometrics taken with 10' mounting height. For other mounting heights, use footcandle multiplier above.

Report No.  
P11358



## Dimensions



## HandiLiter-S™ Catalog Numbers

Catalog Number	Description	Total Watts
B17614/120	100W, MH, Acrylic Lens	129
B17615/120	70W, MH, Acrylic Lens	89
B17617/120	100W, MH, Med Base ED17 Lamp Polycarbonate Lens, 12-3/16" Sq.	128
B17622/120	70W, HPS, E23-1/2 or BG28 25 Lamp, Acrylic Lens, 12-3/16" Sq.	88
B17623/120	70W, HPS, E23-1/2 or BT28 Lamp, Polycarbonate Lens, 12-3/16" Sq.	88
B17624/120	100W, HPS, E23-1/2 or BT28 Lamp, Acrylic Lens, 12-3/16" Sq.	130
B17625/120	100W, HPS, E23-1/2 or BT28 Lamp Polycarbonate Lens, 12-3/16" Sq.	130
B17626/120	18W, LPS, SOX 18 Lamp, Acrylic Lens, 12-3/16" Sq.	31
B17627/120	18W, LPS, SOX 18 Lamp, Polycarbonate Lens, 12-3/16" Sq.	31
B17616/120	70W, MH, Polycarbonate Lens	89
B17620/120	50W, HPS, Acrylic Lens	66
B17621/120	50W, HPS, Polycarbonate Lens	66

## Options

- "/FF" - Fast Acting Fixture Fuse, Buss GLR
- "/CAB" - Cast Aluminum Outlet Box
- "/OBC" - Surface Wiring Collar
- "/BRK" - Adjustable Mounting Bracket\*
- "/L" - Pre-packaged lamps
- "/ISL" - Instant Stand-by Quartz Mini-Can Lighting\*
- "/TP" - Tamper Proof Screws

\*Not U.L. Listed. For wattages under 100, a separate 120V feed is required for the ISL to prevent shortened ballast life.

### Project Name:

Type	Catalogue Number	Comments

Guth utilized the services of U.L. and ETL for listing products.  
Specifications and data are subject to change without notice.

**GUTH**  
A DIVISION OF JJI LIGHTING GROUP, INC.