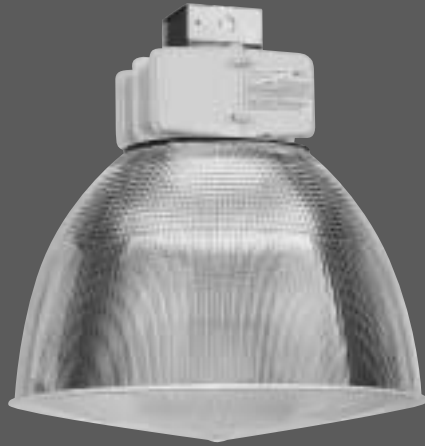


LO-BAY LITER - OPTIMIZED VERTICAL ILLUMINATION

Optional Painted Top and Soft-Glo Optics



FEATURES

- Die Cast Housing
- Top Access Optical
- 12 Reflector Choices
- Broad Spacing
- Custom Architectural Colors
- Focused Prismatic Optics
- Pulse Start Metal Halide

BENEFITS

- Long Component Life
- Easy Maintenance
- Optimized Design
- Less Fixtures
- Meet Design Requirements
- Enhanced Vertical Visibility
- Higher Efficiency

APPLICATIONS

- Warehouse
- Storage Areas
- Industrial Facilities
- Retail
- Gymnasiums
- Supermarkets
- Schools

Specifications/Features

GENERAL

- Efficient low cost design with uncompromising optical and mechanical features.
- Controls glare of any H.I.D. lamp.
- Up to 400 watts and a host of optical choices.
- 22 or 25 inch bottom enclosure with source enlarging blondel flutes for maximum glare control.

CONSTRUCTION

- Die cast ballast housing with white powder coat finish.
- Compartmentalized design isolates ballast components for cooler longer lasting operation.
- Bottom closure is permanently attached to the reflector. Eliminates breakage and misplaced lens.
- Gasketed top plate with thumb screws and twin safety cable provides tool free lamp change-out.

OPTICAL

- Aluminum reflector is available in 22 or 25" diameter, anodized or white painted for optimized direct illumination and brightness control.
- Non-yellowing acrylic reflectors in 22 or 25" diameter provide direct/indirect illumination, high vertical foot-candles and over 90% efficiency.
- Warehouse lighting with prismatic optics allow 3 to 1 fixture spacing while providing illumination at top of stacks.
- New high temperature Soft-Glo prismatic acrylic looks like etched glass with less than 5% loss in efficiency.



Retainers stabilize reflector during relamping.



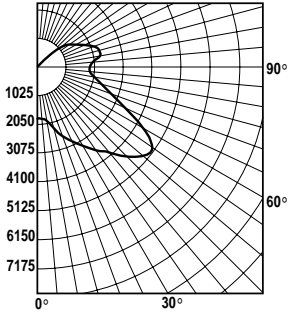
Gasketed top-plate with thumb-screws provides tool-free access.

ELECTRICAL/LISTINGS

- Ballasts are CWA or peak lead HPF design and appropriate to lamp and voltage specified.
- Damp Location Listed for 40°C.

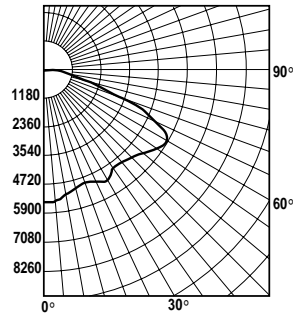
Photometrics

LB-E2-4B1 400M-1
22" Lo-Bay Liter



Total Lamp Lumens 40,000
Fixture Efficiency 91.0%
Report No. P11452-8521
Plastic Reflector & Lens

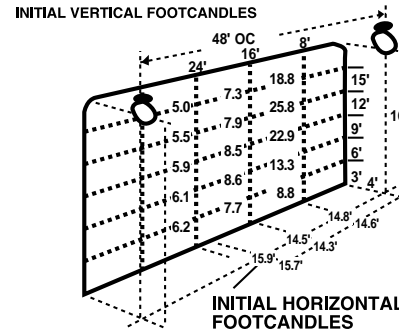
LB-E5-1B1 400M-1
25" Lo-Bay Liter



Total Lamp Lumens 40,000
Fixture Efficiency 70.5%
Report No. P11452-8510
White Aluminum Reflector

WAREHOUSE LIGHTING AT 3x M.H.

400 CL M.H. - 40,000 Lumens, 16' M.H. - 48' Spacing - 8' Aisle
Reflectances 20, 40, 20
Cat # - LB E 2 4 - B1 - 400M

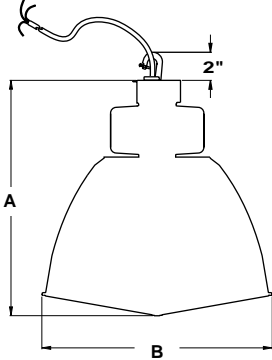


Distribution of light is optimized to provide extremely uniform horizontal and vertical illumination.

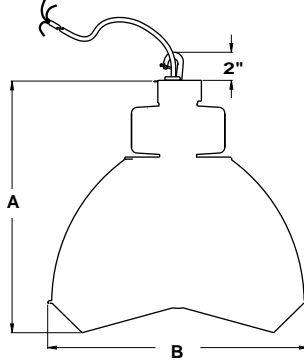
Floor Avg. = 15.1 Vertical Stack Avg. = 20.5

Dimensions

LB-E-2-LHPT (22")

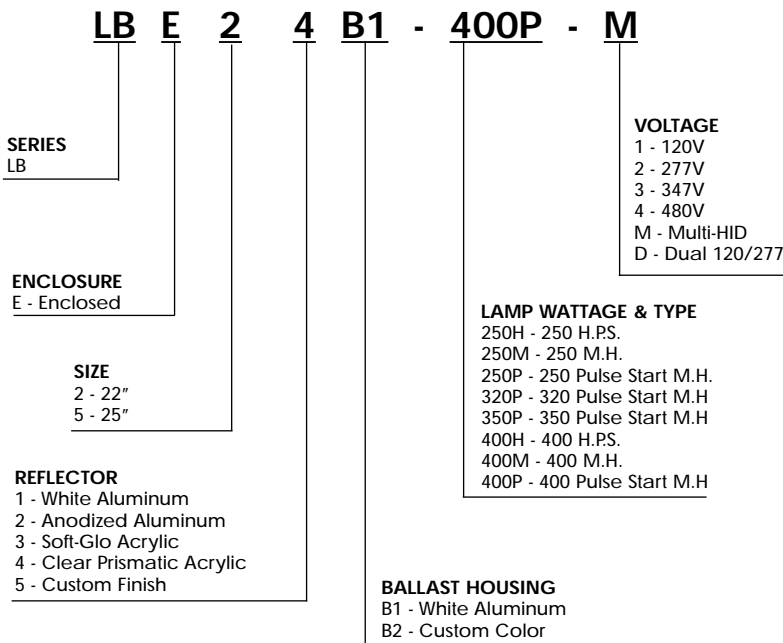


LB-E-5-LHPT (25")



Cat. No.	*A* Dim.	*B* Dim.
LB-E2-1/2	21 3/4"	22 1/8"
LB-E5-1/2	24 1/2"	25 1/4"
LB-E2-3/4	23 "	22 1/2"
LB-E5-3/4	24 3/4"	25 3/8"

Lo-Bay Liter Catalog Numbers



Options

- "/FF" - Fuse
- "/ISL" - Instant Standby Quartz
- "/DISL" - Delay Instant Standby Quartz
- "/IE" - Emergency Quartz Socket, 120V only
- "/LHCP-120V" - Loop hook, cord & plug 120V
- "/LHCP-277V" - Loop hook, cord & plug 277V
- "/LHPT" - Loop hook pigtail
- "/BRC" - Safety Chain
- "/WG" - Wire Guard
- "/NSF" - NSF International Certification
- "/BLB" - Bi-level HID Ballast (consult factory)
- "/Custom Paint" - Tiger Drylac standard
(consult factory for color choices)

Metal Halide Note:

1. Lamp manufacturers state type E and S type lamps must be turned off for 15 minutes each week to prevent a non-passive failure
2. Type O rated lamps have no turn-off requirement.
An optional pink socket will only accept O rated lamps.

Guth utilized the services of U.L. and ETL for listing products.
Specifications and data are subject to change without notice.