

KLEENSEAL KHR™ 100 SERIES

Recessed H.I.D. Sealed Inset Door



FEATURES

- Aluminum housing
- Sealed construction
- Removable top plate
- Aluminum inset door
- High efficiency optical
- Wet location
- Electronic HID Ballasts

BENEFITS

- Easy installation
- Top or bottom access
- Requires less fixtures
- Corrosion resistant
- Longer Lamp Life
- Highest Efficiency

APPLICATIONS

- Cleanrooms
- Canopies
- Locker rooms
- Chemical plants
- Dirty areas
- Food Processing

Specifications/Features

GENERAL

- Recessed sealed and gasketed.
- H.I.D. unit up to 400 watt lamps.
- Standard flange unit fits ceilings up to 3 inches thick. Optional unit fits 3 to 6 inch ceiling thickness.
- Designed for flange or 1", 1-1/2" or 2" grid mounting.
- 2" grid unit will fit most gasketed or gel systems.

CONSTRUCTION

- Sealed and gasketed .040 aluminum housing prepainted in white acrylic enamel for added corrosion resistance.
- Seismic support mounting feature standard.
- Stainless steel housing optional.

DOOR FRAME/ LENS

- Inset aluminum door frame finished in prepainted white acrylic enamel for added corrosion resistance.
- Stainless steel door is optional.
- Lens is gasketed to door frame with neoprene gasket.
- Door frame retained to housing when opened for safety and ease of relamping.
- Door frame secured to housing by captive stainless steel screws.
- Optional tamper resistant screws available.
- Door frame gasketed to housing with closed cell polyethylene gasket.
- Standard lens is .200" High Temperature Acrylic. C73 glass, Drop Acrylic or Clear Polycarbonate underlay is optional.
- Lens installed prisms up standard. Prisms down is optional.



1", 1-1/2" or 2" grid mount.



Electrical components accessed through bottom or top of fixture.

ELECTRICAL

- Ballasts are CWA or electronic and appropriate to the specified lamp and voltage.
- All electrical components can be accessed through the bottom or top of the fixture. (Consult factory for electronic bottom access.)
- All fixtures carry the IBEW Union label to insure quality.

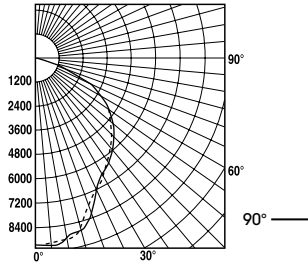
LISTINGS

- Listed for Wet Locations —Covered Ceilings Only.
- Listed for use in U.S. and Canada.
- NSF certified.

Photometrics

Coefficients of Utilization 400W CTD Lamp KH-1-G-400M-6-HTA-1 Coated Lamp

Ceiling Refl.	80%			50%			10%		
	50	30	10	50	30	10	50	30	10
RCR 20% Effective Floor Cavity Reflectance									
1	.64	.62	.60	.60	.59	.57	.56	.55	.54
2	.57	.53	.49	.53	.50	.48	.50	.48	.46
3	.50	.46	.42	.48	.44	.41	.44	.42	.39
4	.45	.40	.36	.42	.38	.35	.40	.37	.34
5	.40	.34	.30	.36	.33	.30	.35	.32	.29
6	.35	.30	.26	.34	.29	.26	.32	.28	.25
7	.32	.27	.23	.30	.26	.23	.29	.25	.22
8	.29	.23	.20	.27	.23	.20	.26	.22	.19
9	.26	.21	.17	.25	.20	.17	.23	.20	.17
10	.23	.19	.15	.22	.18	.15	.21	.18	.15

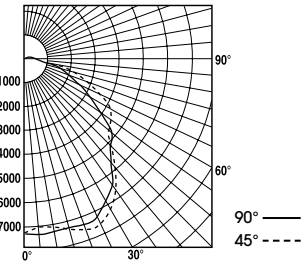


Report No.
P11463

S/MH Ratio 1.1
Total Lamp Lumens 36,000

Coefficients of Utilization 400W CTD Lamp KH-1-G-400P-3-DRA-1 Drop Acrylic Lens

Ceiling Refl.	80%			50%			10%		
	50	30	10	50	30	10	50	30	10
RCR 20% Effective Floor Cavity Reflectance									
1	.67	.64	.61	.63	.60	.58	.57	.55	.54
2	.58	.53	.49	.54	.50	.47	.49	.46	.44
3	.51	.45	.40	.47	.42	.39	.43	.40	.37
4	.45	.38	.34	.42	.37	.33	.38	.34	.31
5	.40	.33	.29	.37	.32	.28	.34	.30	.27
6	.36	.29	.25	.33	.28	.24	.31	.27	.24
7	.32	.26	.22	.30	.25	.21	.28	.24	.21
8	.29	.23	.19	.28	.23	.19	.26	.22	.19
9	.27	.21	.17	.25	.21	.17	.24	.20	.17
10	.25	.19	.16	.24	.19	.16	.22	.18	.15

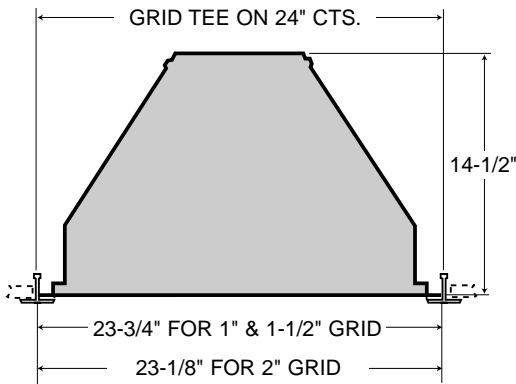


Report No.
P11463b

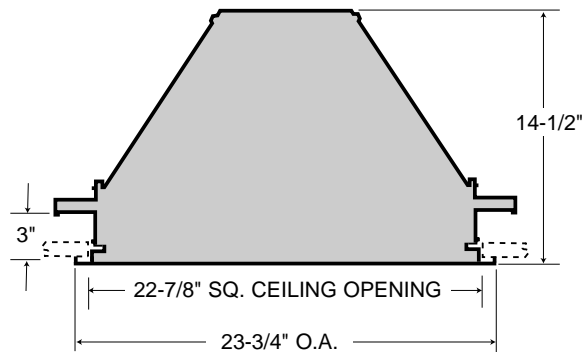
S/MH Ratio 1.4
Total Lamp Lumens 36,000

Dimensions

GRID SERIES



FLANGE SERIES



Kleenseal KHR™ - 100 Catalog Numbers

KH1 G - 400P - 6 - HTA - 1

KHR-100 SERIES

MOUNTING

- G Grid (1" or 1-1/2")
- F Flange
- 2G 2" Gasketed Grid
- 2J 2" gel grid (3/4" knife edge)

LAMP WATTAGE & TYPE

175 P	175 W	Pulse Start MH
250 P	250 W	Pulse Start MH
320 P	320 W	Pulse Start MH
350 P	350 W	Pulse Start MH
400 P	400 W	Pulse Start MH

VOLTAGE
120 - 120V
277 - 277V
347 - 347V

- LENS (PRISMS UP STANDARD)
- HTA High Temperature Acrylic
 - C73 Prismatic Tempered Glass
 - DRA Drop Acrylic
 - UND Polycarbonate Underlay (With C73 Prisms Down)

DOOR FRAME
6 Aluminum 4 Piece Inset White

Options

- "/FF" - Fixture Fuse
- "/TP" - Tamper Resistant Screws
- "/IE" - Emergency Circuit (250W max.)
- "/ISL" - Instant Stand-By Quartz (250W max.)
- "/DN" - Lens Furnished With Prisms Down
- "/CT" - Custom Swing Arm Hanger - Specify Ceiling Thickness
- "/DIM" - Hi-Lo, Dimming - Consult Factory
- "/EB" - Electronic Ballast (NA 347)

Project Name:

Type	Catalogue Number	Lamp	Comments

KLEENSEAL KHR™ 200 SERIES

Recessed H.I.D. Sealed Overlap Door



FEATURES

- Aluminum housing
- Sealed construction
- Removable top plate
- Overlap door
- NSF International
- 200 PSI hosedown
- Electronic HID ballasts

BENEFITS

- Easy installation
- Top or bottom access
- Requires less fixtures
- Corrosion resistant
- 50% longer lamp life
- Highest efficiency

APPLICATIONS

- Food processing
- Pharmaceutical cleanrooms
- Animal containment
- Locker rooms
- Chemical plants

Specifications/Features

GENERAL

- Recessed sealed and gasketed.
- H.I.D. unit up to 400 watt lamps.
- Standard flange unit fits ceilings up to 3 inch thick. Optional unit fits 3 to 6 inch ceiling thickness.
- Designed for flange or 1", 1-1/2" or 2" grid mounting.
- 2" grid unit will fit most gasketed or gel systems.

CONSTRUCTION

- Sealed and gasketed .040 aluminum housing prepainted in white acrylic enamel for added corrosion resistance.
- Seismic support mounting feature standard.
- Stainless steel housing optional.

DOOR FRAME/ LENS

- Door is standard double thick, 20 gauge overlap painted steel.
- Overlap stainless and flush aluminum (painted or anodized) door frames are optional.
- Lens is silicone sealed to door frame.
- Door frame retained to housing when opened for safety and ease of relamping.
- Door frame secured to housing by captive stainless steel screws.
- Optional tamper resistant screws available.
- Door frame gasketed to housing with closed cell polyethylene gasket.
- Silicone gasket is optional.



Standard double thick overlap painted steel door.



Electrical components accessed through bottom or top of fixture.

- Standard lens is .200" High Temperature Acrylic. C73 glass, Drop Acrylic or Clear Polycarbonate underlay optional.
- Lens installed prisms up standard. Prisms down is optional.

ELECTRICAL

- Ballasts are CWA or electronic and appropriate to the specified lamp and voltage.
- All electrical components can be accessed through the bottom or top of the fixture. (Consult factory for bottom access electronic.)
- All fixtures carry the IBEW Union label to insure quality.

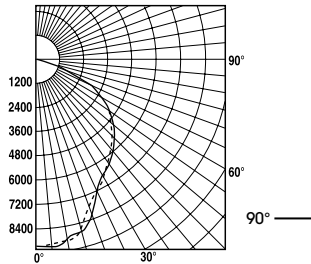
LISTINGS

- Listed for Wet Locations — U.S. and Canada.
- NSF International.
- Hosedown Rating 200 PSI.

Photometrics

Coefficients of Utilization 400W CTD Lamp KH-2-G-400P-3-HTA-1 Hi-Temp Acrylic Prisms Up

Ceiling Refl.	80%			50%			10%		
	50	30	10	50	30	10	50	30	10
Wall Refl.	20% Effective Floor Cavity Reflectance								
RCR									
1	.64	.62	.60	.60	.59	.57	.56	.55	.54
2	.57	.53	.49	.53	.50	.48	.50	.48	.46
3	.50	.46	.42	.48	.44	.41	.44	.42	.39
4	.45	.40	.36	.42	.38	.35	.40	.37	.34
5	.40	.34	.30	.36	.33	.30	.35	.32	.29
6	.35	.30	.26	.34	.29	.26	.32	.28	.25
7	.32	.27	.23	.30	.26	.23	.29	.25	.22
8	.29	.23	.20	.27	.23	.20	.26	.22	.19
9	.26	.21	.17	.25	.20	.17	.23	.20	.17
10	.23	.19	.15	.22	.18	.15	.21	.18	.15

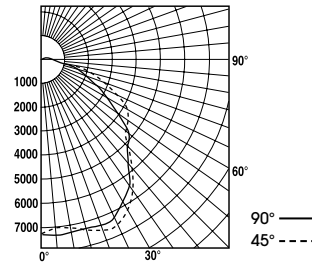


Report No.
P11461c

S/MH Ratio 1.1
Total Lamp Lumens 36,000

Coefficients of Utilization 400W CTD Lamp KH-2-G-400P-3-DRA-1 Drop Acrylic Lens

Ceiling Refl.	80%			50%			10%		
	50	30	10	50	30	10	50	30	10
Wall Refl.	20% Effective Floor Cavity Reflectance								
RCR									
1	.67	.64	.61	.63	.60	.58	.57	.55	.54
2	.58	.53	.49	.54	.50	.47	.49	.46	.44
3	.51	.45	.40	.47	.42	.39	.43	.40	.37
4	.45	.38	.34	.42	.37	.33	.38	.34	.31
5	.40	.33	.29	.37	.32	.28	.34	.30	.27
6	.36	.29	.25	.33	.28	.24	.31	.27	.24
7	.32	.26	.22	.30	.25	.21	.28	.24	.21
8	.29	.23	.19	.28	.23	.19	.26	.22	.19
9	.27	.21	.17	.25	.21	.17	.24	.20	.17
10	.25	.19	.16	.24	.19	.16	.22	.18	.15

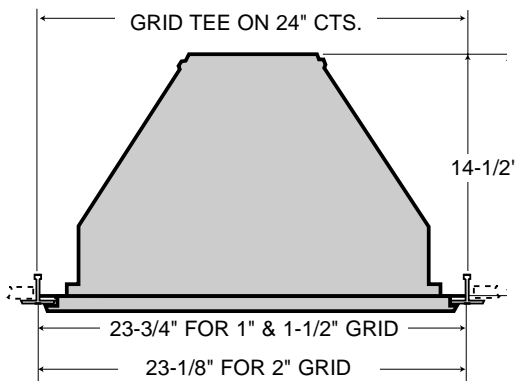


Report No.
P11463b

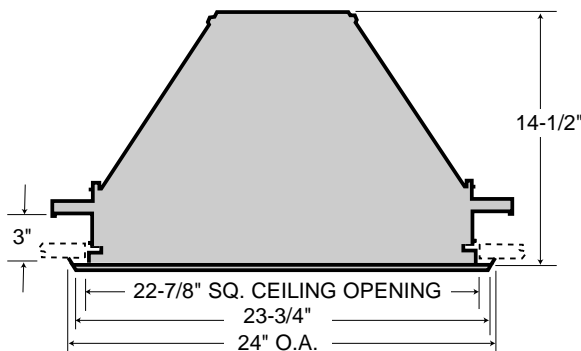
S/MH Ratio 1.4
Total Lamp Lumens 36,000

Dimensions

GRID SERIES



FLANGE SERIES



Kleenseal KHR™ -200 Catalog Numbers

KH2 G - 400P - 3 - HTA - 1

KHR-200 SERIES

MOUNTING

- G Grid (1" or 1-1/2")
- F Flange
- 2G 2" Gasketed Grid
- 2J 2" Gel Grid (3/4" Knife Edge)

LAMP WATTAGE & TYPE

- MHHP
- 175 P 175 MH Pulse Start
- 250 P 250 MH Pulse Start
- 320 P 320 MH Pulse Start
- 350 P 350 MH Pulse Start
- 400 P 400 MH Pulse Start

VOLTAGE
120 - 120V
277 - 277V
347 - 347V

LENS (PRISMS UP STANDARD)

- HTA High Temperature Acrylic
- C73 Prismatic Tempered Glass
- DRA Drop Acrylic - Not available on #6 & #9 Door
- UND Polycarbonate Underlay (With C73 Prisms Down)

DOOR FRAME

- 3 CRS 1 Piece Overlap White
- 5 304 1 Piece Overlap Stainless
- 6 Extruded Aluminum 4 Piece Flush White
- 9 Extruded Aluminum 4 Piece Flush Anodized

Options

- "/FF" - Fixture Fuse
- "/TP" - Tamper Resistant Screws
- "/SG" - Silicone Gasketing
- "/IE" - Emergency Circuit (250W max.)
- "/ISL" - Instant Stand-By Quartz (250W max.)
- "/DN" - Lens Furnished With Prisms Down
- "/CT" - Custom Swing Arm Hanger Specify Ceiling Thickness
- "/EB" - Electronic Ballasts - (N.A. 347V)
- "/DIM" - Hi-Lo and Dimming - (consult factory)

Project Name:

Type	Catalogue Number	Lamp	Comments

Guth utilized the services of U.L. and ETL for listing products. Specifications and data are subject to change without notice.

GUTH

a GENLYTE company

H 2
R9/07