

# FOODSTAR™ – 5°, 40° & 50°C Listed–1500 PSI Hosedown–NSF Certified

## Fiberglass Super Premium Sealed Fixture



**Bakery**

### FEATURES

- Molded fiberglass reinforced housing
- Up to 30,000 lumens
- Dust tight
- Toolfree re-lamping
- Impact resistant lens
- Stainless steel hardware
- Paint free finish
- Narrow or wide beam optics

### BENEFITS

- High corrosion resistance
- Use less fixtures
- Low dirt depreciation
- Easy maintenance
- Resists abuse
- Durable construction
- Long service life
- Use anywhere

### APPLICATIONS

- Food and Animal Processing
- Freezers and Coolers
- Outdoor and Coastal Areas
- Cleanrooms - Vivariums
- Machine Shops and Garages
- Treatment plants
- Schools and Gyms
- Inspection Area

## Specifications/Features

### GENERAL

- Lower cost premium constructed hose-down fixture
- Extremely long service life
- Features 7,000 lumen T8VHO and 5,000 lumen T5HO amalgam lamps that are not affected by temperature

### CONSTRUCTION

- One piece, molded fiberglass reinforced polyester housing
- 12 stainless steel captive latches
- Rounded ballast housing cleans easily
- Hinged ballast tray
- Continuous closed cell non-delaminating gasket
- Gasket will not support fungus
- Impact resistant, injection molded lenses
- Use for high or low-bay applications
- Cable mount standard
- Optional quick disconnect mounting bails
- Optional yoke, ceiling and stem mounting
- Pre-wired with 3' powercord and sealed cord grip
- 30 second removal with "QDP" option

### LISTINGS/ELECTRICAL

- CUL 1598 wet location
- NSF Certified
- IP 67 (dust tight and temporary immersion) and NEMA 4X
- Optional -20°F starting ballasts
- Optional 5°, 40°C & 50°C (40°F, 104°F & 122°F) Listings
- UL746 outdoor rated
- UL 94 flammability rated housing
- Internally fused electronic ballast



**Gymnasium**



**Cold Storage**



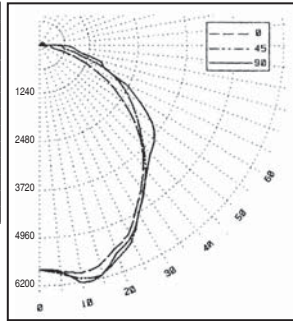
**Manufacturing**



## Photometrics

### 4 Lamp T5HO-C (Amalgam) FS-4F54-AN-1

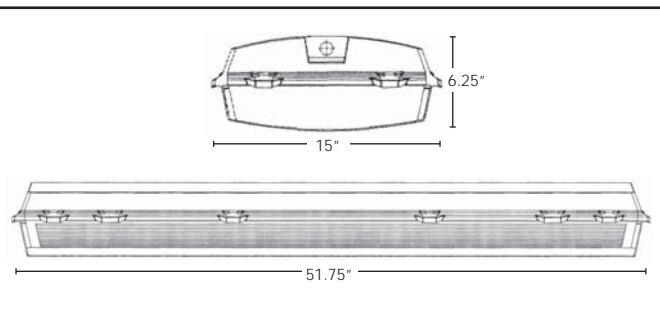
Ceiling Refl.	80%			50%			10%		
	50	30	10	50	30	10	50	30	10
Wall Refl.	50	30	10	50	30	10	50	30	10
RCR	20% Effective Floor Cavity Reflectance								
0	1.07	1.07	1.07	.99	.99	.99	.90	.90	.90
1	.93	.90	.86	.87	.84	.82	.79	.78	.76
2	.82	.76	.71	.77	.72	.68	.70	.67	.64
3	.73	.66	.60	.68	.63	.58	.63	.59	.56
4	.65	.57	.51	.61	.55	.50	.56	.52	.48
5	.57	.49	.43	.54	.47	.42	.50	.45	.41
6	.51	.43	.38	.48	.42	.37	.45	.40	.36
7	.46	.38	.33	.44	.37	.32	.41	.35	.31
8	.41	.34	.29	.39	.33	.28	.37	.31	.27
9	.37	.30	.25	.35	.29	.24	.33	.28	.24



S/MH 1.3 Across  
Lamp Lumens 20,000  
Fixture Efficiency 90.1%

Note: Amalgam lamps are not temperature sensitive.  
The tests above represent actual fixture output.

## Dimensions



## FOODSTAR Catalogue Numbers

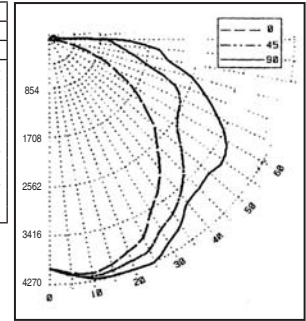
<b>FS</b>	<b>4</b>	<b>F54</b>	<b>A</b>	<b>W</b>	<b>2</b>
Lamps 4 - 4 6 - 6*					Voltage 1 - 120 Volt 2 - 277 Volt 3 - 347 Volt
Lamp types <sup>2</sup> F32 - F32T8 F84 - F48T8VHO <sup>1</sup> F54 - F54T5HO			Lens A - Impact resistant acrylic P - UV stabilized polycarbonate	Optics W - Wide N - Narrow	

Note: 1. F48T8VHO avail 277-480 only. Available in 6 lamps for use below 40°F room temperature.  
2. Amalgam 7,000 lumen T8VHO and 5,000 lumen T5HO provide 95% lumens from 50-150°F  
3. Consult factory for other lamps, ballasts and options

Guth utilizes the services of U.L. and ETL for listing products  
Specifications and data are subject to change without notice.

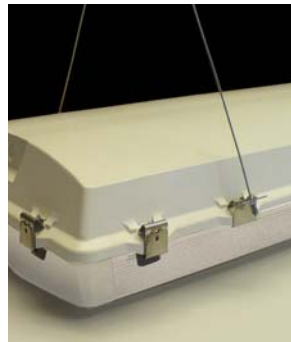
### 4 Lamp T5HO-C (Amalgam) FS-4F54-AW-1

Ceiling Refl.	80%			50%			10%		
	50	30	10	50	30	10	50	30	10
Wall Refl.	50	30	10	50	30	10	50	30	10
RCR	20% Effective Floor Cavity Reflectance								
0	1.00	1.00	1.00	.93	.93	.93	.84	.84	.84
1	.85	.81	.77	.79	.75	.72	.71	.69	.67
2	.73	.66	.61	.68	.62	.58	.61	.58	.55
3	.64	.56	.50	.59	.53	.48	.54	.50	.46
4	.56	.48	.42	.52	.46	.41	.48	.43	.39
5	.49	.41	.35	.46	.39	.34	.42	.37	.33
6	.44	.36	.30	.41	.34	.29	.37	.32	.28
7	.39	.31	.26	.37	.30	.25	.34	.28	.24
8	.35	.27	.22	.33	.26	.22	.30	.25	.21
9	.31	.24	.19	.29	.23	.19	.27	.22	.18



S/MH 1.5 Across  
Lamp Lumens 20,000  
Fixture Efficiency 84.9%

Ambient Temperature	Acceptable Lamping
-20°F TO 40°F	All N/A 4 - F32T8 AT -20°F
40°F TO 77°F	All N/A 6-T8VHO
77°F TO 104°F	All N/A 6-T8VHO & 6-T5HO 120V
104°F -120°F	4 - F32T8



Cable mount and stainless latches



Quick disconnect mounting bail

## Options

"/BEF" - Internal 90 minute battery back-up (n.a. F84T8VHO)  
"/-20°F" - -20°F starting ballast  
"/40°C" - 40°C listed  
"/HBF" - 1.2 ballast factor T8 ballast  
"/HiLo" - HiLo T8 ballast (.30, .88 ballast factor)  
"/3 HiLo" - high, medium, low T8 ballast (.30, .60, .88 ballast factor)  
"/QDP" - Quick disconnect hose-down power cord set  
"/OS" - Occupancy sensor (above 17°F)  
"/OS-LT" - High humidity occupancy sensor (-40°F)  
"/BLM" - Quick disconnect mounting bails  
"/MBSM" - Stem Mount (2-36" stems incld)  
"/PI" - Pipe mounting bracket  
"/MB" - Ceiling mounting bracket  
"/BRC" - Lens retainer cable

## Project Name:

Type	Catalogue Number	Comments