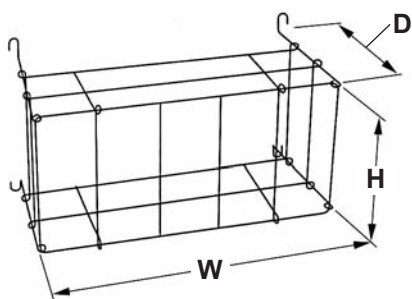
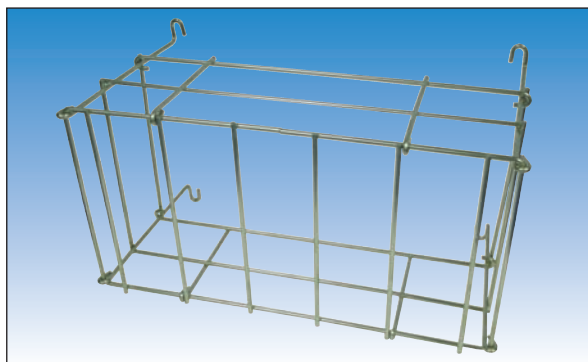


Wire Guards



Application

Wire Guards are available for installation over most emergency lighting units, exit signs and remote fixtures or lighting heads to provide additional protection against accidental impact, tampering or vandalism.

Construction

Wire guards are constructed of formed and welded heavy-gauge steel wire with a zinc plated finish.

Installation

Wire guards install to flat surfaces by means of four formed mounting legs using appropriate installer supplied hardware.

Model No.	Application	Dimensions			Weight
		H	W	D	
PG-1	Emergency Lighting Units GNB Series, GXC-R Series, GRL Series except GRL-13, 15, G12RL-18, G12RL-20, G24RL-19 and G24RL-25	15" 38.1cm	17 ³ / ₄ " 45cm	6 ¹ / ₄ " 15.9cm	2 lbs. (.91kg)
PG-2	Emergency Lighting Units GRL Series models GRL-13, 15, G12RL-18, G12RL-20, G24RL-19 and G24RL-25, GNX Series, GIS Series, GHD Series	21" 53.3cm	23 ¹ / ₂ " 59.7cm	12" 30.5cm	5 lbs. (2.3kg)
PG-5	Exit Signs GNX Series without lighting heads	16" 40.6cm	16" 40.6cm	9" 22.9cm	3 lbs. (1.4kg)
PG-6	Single Remote Lighting Heads	8" 20.3cm	8" 20.3cm	8" 20.3cm	1 lbs. (.45kg)
PG-7	Double Remote Lighting Heads	8" 20.3cm	16" 40.6cm	8" 20.3cm	2 lbs. (.91kg)
PG-8	Exit Signs Wall mounted (without lighting heads) GAPS Series, GSLED Series, GAPA Series, GALED Series, GCLED Series	13" 33cm	13" 33cm	4" 10.1cm	3 lbs. (1.4kg)
PG-9	Exit Signs Wall mounted New York or Chicago Approved Exit Signs Without Side Mounted Lighting Heads	14" 35.6	17" 43.2cm	4" 10.1cm	3 lbs. (1.4kg)
PG-10	Exit Signs Wall mounted (with side mount lighting heads) GAPS and GAPA Series, GSLED and GALED Series, GNX Series	16" 40.6cm	26" 66cm	7" 17.8cm	5 lbs. (2.3kg)
PG-11	Exit Signs Ceiling or End Mount (without lighting heads) GAPS Series, GSLED Series, GAPA Series, GALED Series, GCLED Series	14" 35.6	17" 43.2cm	4" 10.1cm	3 lbs. (1.4kg)

NOTE: All product specifications shown are subject to change without notice.

Specifier Reference

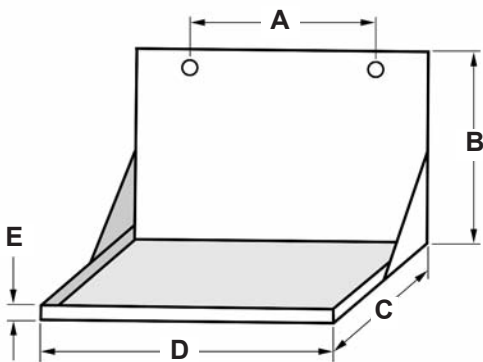
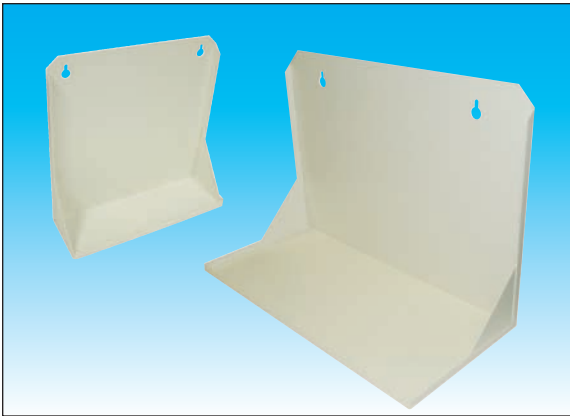
Project: _____

Fixture Type: _____

Model No.: _____

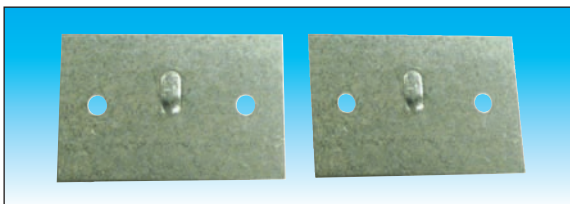
Comments: _____

Mounting Shelves



Model Number	Application	Dimensions					Weight
		A	B	C	D	E	
S-1	GRL-3, GRL-5, GRL-7, G12RL-12	5 1/4"	10 1/4"	4 1/2"	9 1/4"	1/2"	1 lb. (.45kg)
		13.3cm	26cm	10.8cm	23.5cm	1.3cm	
S-2	GRL-9, GRL-11, G12RL-14, G12RL-16, G24RL-15, G24RL-17, GNB Series (all)	10 1/4"	10 1/4"	4 1/2"	12 1/4"	1/2"	2 lbs. (.91kg)
		26cm	26cm	10.8cm	31.1cm	1.3cm	
S-3	GRL-13, GRL-15, G12RL-18, G12RL-20, G24RL-19, G24RL-25	8 1/4"	10 1/4"	5 1/2"	12 1/4"	1/2"	2 lbs. (.91kg)
		21cm	26cm	14cm	31.1cm	1.3cm	
S-4	GHD-2, GHD-4, GHD-6, 12GHD-13,	10"	12 1/4"	8 1/4"	14"	1/2"	4 lbs. (1.8kg)
		25.4cm	31.1cm	21cm	35.6cm	1.3cm	
S-5	GHD-8, G12HD-15, 12GHD-17, 24GHD-22	12"	13 1/4"	8 1/4"	18 1/4"	1/2"	4 lbs. (1.8kg)
		30.5cm	33.7cm	21cm	46.4cm	1.3cm	
S-6	G12RL-22	12"	10 1/4"	5 1/2"	19"	1/2"	4 lbs. (1.8kg)
		30.5cm	26cm	14cm	48.3cm	1.3cm	

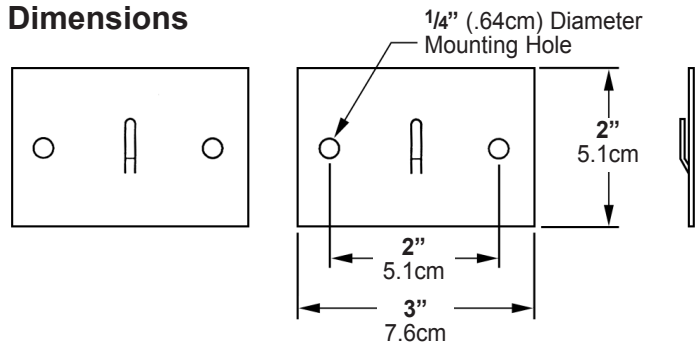
Mounting Brackets



Model Number	Application	Weight
B-1*	GNB Series, GRL Series, GHD Series except GHD-8, 12GHD-15, 12GHD-17 and 24GHD-22 models	1/2 lb. (.23kg)

* Provides both brackets required to mount unit.

Dimensions



NOTE: All product specifications shown are subject to change without notice.

Specifier Reference

Project: _____

Fixture Type: _____

Model No.: _____

Comments: _____
