

AISLELITER®: FEATURING 210-315 ELECTRONIC METAL HALIDE

Use up to 50% Less Energy - 23% Less Fixtures



Dark Bronze std color
(optional white above)



Narrow Aisles



Open Storage

FEATURES

- Die cast aluminum housing
- 8" deep
- Dimmable electronic MH ballast
- Sealed optics
- Asymmetric optics
- Symmetric optics
- Integral occupancy sensor
- -30°F to 131°F operation

BENEFITS

- Sturdy construction
- Fits inside trusses
- Use less fixtures/energy
- High maintained performance
- Long aisle spacing
- Open storage
- Auto dimming to 50% power
- Versatile usage

APPLICATIONS

- Warehouses
- Freezers
- Open storage
- Docks
- Manufacturing
- Treatment plants
- Repair shops
- Big box stores

Specifications/Features

GENERAL

- Die cast fixture optimized for the new electronic MH ballast system.
- Sealed optics chamber.
- High temperature silicone gaskets.
- Balanced hook, cord and plug mounting option.
- Conduit mount from 1/2" threaded hub option.
- Powder coat finish.
- Tempered glass lens.
- Temperature sensitive components isolated outside casting.
- Splice box located outside casting.
- Standard stainless steel mounting bracket.

OPTICS

- Adjustable asymmetric optics.
- Symmetric for open storage.
- Highly efficient.

LAMPS

- 210, 315 PSMH Electronic
- 320, 350, 400 PS MH.
- 250, 400 HPS

BALLASTS

Electronic MH Includes:

- 0-10 volt dimming to 50% power
- Ballast factor of 1.
- End of life lamp protection.
- Integral fusing.
- 50% less internal losses.
- Extended manufacturer's parts and labor warranty.
- 208, 240 and 277 volt operation only.
- -30°F Start Temperature

Core and Coil

- 120 to 480 volt operation.
- Suitable for PS MH and HPS.
- Regulated, High Power Factor Design
- Solids Impregnated Core.
- -40°F Start Temp for HPS.
- -20°F Start for PS MH.

LISTINGS

- ETL Damp Location listed to 55°C in US and Canada.

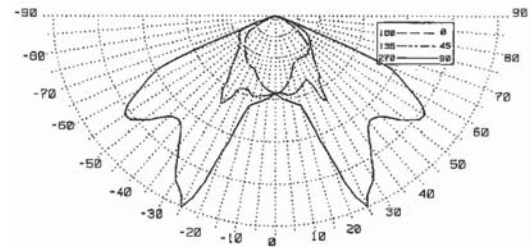


Lamp Comparison

BALLAST	ELECTRONIC PSMH		CORE & COIL PSMH
Lamp Wattage	210	315	400
Ballast Factor	1.0	1.0	.95
Initial Lumens	24,150	37,800	34,960
Maintained Lumens	23,100	34,650	24,472
Fixture watts	235	340	455
Lamp Life	20,000+	20,000+	20,000
Color Accuracy	90 CRI		62 CRI

Ballast Factor: Watts the ballast provides to lamp
(.95 BF = 380w to 400w lamp)

Photometrics – Asymmetric Medium AL315E-M-U-E – Clear 315 PSMH

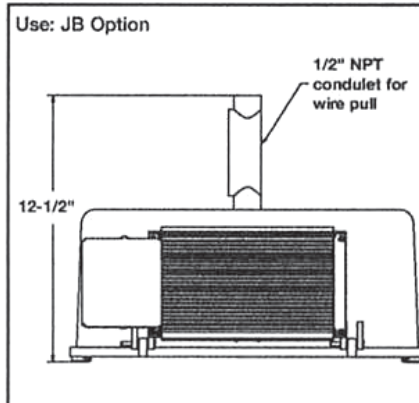


ITL 12612M

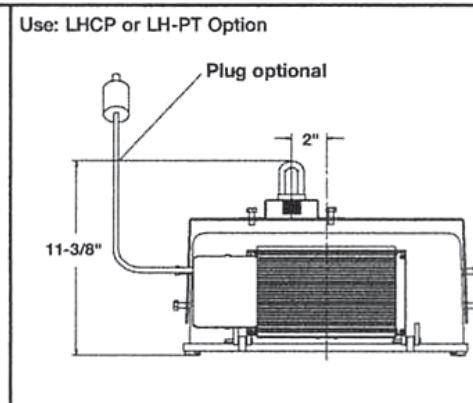
ZONE	LUMENS	% LAMP
0-30	8623	22.8
0-40	14,387	38.4
0-60	24,507	64.8
0-90	28,388	75.1
0-180	28,388	75.1

Mounting Options

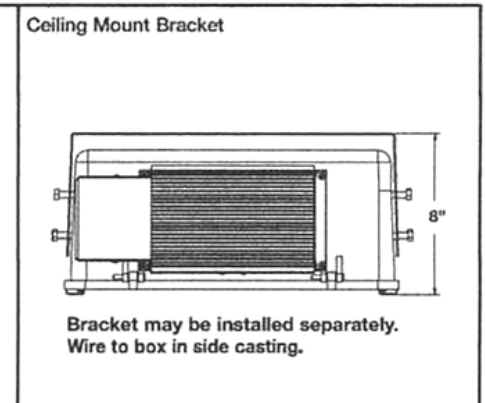
Rigid Conduit Mount



Loop Cord and Plug



Standard Construction



Ordering Data

AL	315 E	M	E
SERIES AL			VOLTAGE E - 208, 240, 277 Electronic 1 - 120V 2 - 277V 3 - 347V 4 - 480V M - Multi-Top
LAMP/BALLAST 250P - 250 PS MH 320P - 320 PS MH 350P - 350 PS MH 400P - 400 PS MH 210E - 210 PS Electronic 315E - 315 PS Electronic 250H - 250 HPS 400H - 400 HPS		OPTICS N - Narrow ASY M - Medium ASY W - Wide ASY S - Symmetric	

Note: Electronic ballast not available in 120, 347 or 480 volt.

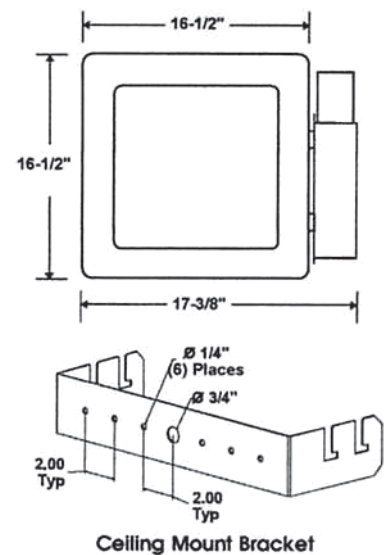
Options

Electronic MH Ballast
 "/IE" Delay Instant Standby Quartz
 "/OS" Integral Occupancy Sensor (above 17°F)
 "/OS-LT" Integral Low Temp Sensor (-40°F)

Pulse Start Core & Coil Ballast
 "/ISL" Instant Standby Quartz
 "/DISL" Delay Instant Standby Quartz
 "/SSF" Slow Blow Fuse

Mounting Options
 "/LHCP-120" Loop Hanger, 6' White Cord and Molded Plug
 "/LHCP-277" Loop Hanger, 6' White Cord and Twist Lock Plug
 "/LH-PT" Loop Hanger Cord Set with 3' Pigtails
 "/BRC" Safety Chain and Hanger
 "/JB" J Box Kit

Dimensions



Ceiling Mount Bracket

Project Name:

Type	Catalogue Number	Lamp	Comments